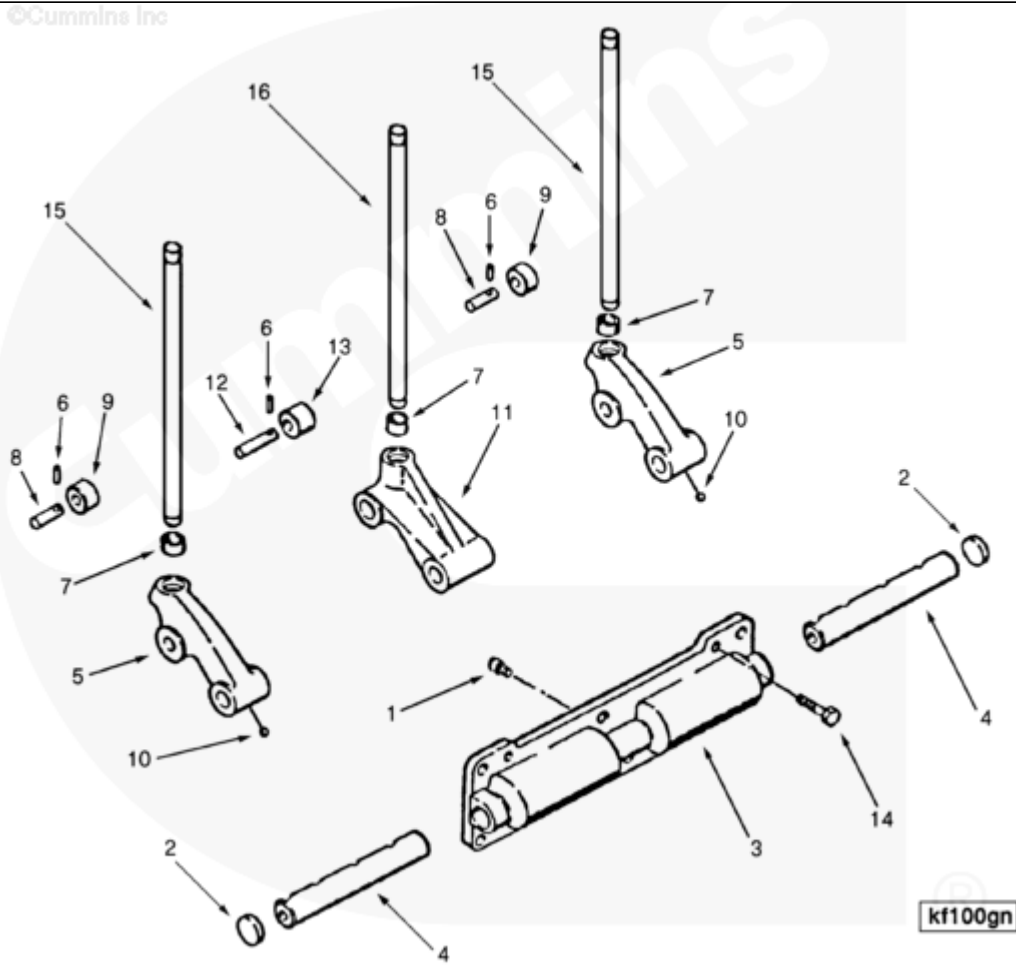




## Parts Catalog - Option Detail

Electronic Parts Catalog - Option Detail				
Option	Group	Graphic	Film Card	Date
BP1224	04.03	kf100gn	F	15-DEC-92
<b>Engines</b>	NH/NT 855, NT495, NT743, NTA855 N106			

©Cummins Inc



[SMALL](#) | [MEDIUM](#) | [LARGE](#)

Cart	Ref No	Part Number	Part Description	Required	Remarks
<a href="#">View My Cart</a>					
		<a href="#">BP1224</a>	Cam Follower Housing		
					Cam Follower Housing
<input type="checkbox"/>		<a href="#">3036939</a>	Cam Follower Housing	3	

<input type="checkbox"/>	1	69736	Cam Follower Shaft Screw	2	
<input type="checkbox"/>	2	3007634	Expansion Plug	2	
<input type="checkbox"/>	3	3016887	Cam Follower Housing	1	
<input type="checkbox"/>	4	3017031	Cam Follower Shaft	2	
	5	3056568	Cam Follower Lever	4	
<input type="checkbox"/>	6	118939	Roll Pin	1	
<input type="checkbox"/>	7	213559	Cam Follower Socket	1	
<input type="checkbox"/>	8	3013331	Cam Follower Roller Pin	1	
<input type="checkbox"/>	9	3036933	Cam Follower Roller	1	
<input type="checkbox"/>	10	3056570	Ball Plug	1	
	11	3056569	Cam Follower Lever	2	
<input type="checkbox"/>	6	118939	Roll Pin	1	
<input type="checkbox"/>	7	213559	Cam Follower Socket	1	
<input type="checkbox"/>	12	3013330	Cam Follower Roller Pin	1	
<input type="checkbox"/>	13	3036934	Cam Follower Roller	1	
<input type="checkbox"/>	14	S 129	Hexagon Head Cap Screw	18	3/8 - 24 X 1 in.
<input type="checkbox"/>	15	3046420	Push Rod	12	
<input type="checkbox"/>	16	3046430	Push Rod	6	